

CONTAINER FOR SEPARATE COLLECTION OF USED VEGETABLE OIL EQUIPPED WITH OILPLAN SYSTEM FOR MONITORING WASTE COLLECTION

TECHNICAL FEATURES:

The Oilplan 200 collection station is designed specifically for bulk oil. It consists of two containers placed one inside the other. The external container (upper diameter = 100 cm; lower diameter = 75 cm; height = approx. 120 cm) has a 500-liter capacity and serves as a containment tank. It is made of PEHD to resist both harsh weather conditions and oils, and is rotational molded to increase its impact-resistance (this type of molding does not involve lines or seams). For further safety, it is equipped with ground fixing posts using screw anchors (not included), to avoid impact or accidental upending caused by intense weather.

It is easy to inspect, wash and drain thanks to the lid (ø 100 cm) fitted with a flip-off lever and lock with cut key. The internal container is made of corrosion-proof steel (ø 60 cm; h 90 cm), has a capacity of 190 liters and is equipped with both a wide opening for collecting used oil and an oil-resistant watertight lid with a galvanized steel spring catch and oil-resistant seal.

It features manual or electronic lid opening (depending on the version) with automatic gravity closure thanks to the rollover knob; it is fitted with a breather and an active charcoal odor-proof filter (with a life of approx. 2 years), a funnel for easy oil disposal and a descent control valve on the outlet side in case of accidental upending or overfilling.

The station is supplied with an Oil Only 500 slip-proof footboard.



OILPLAN 200 IS THE RESULT OF COMBINING THE OLIVIA 200 COLLECTION STATION AND THE OILPLAN SYSTEM





OILPLAN 200 IS AVAILABLE IN THE FOLLOWING VERSIONS:

BASE

cod.02179 – The station manages "anonymous" drop-off by authorized users, recognized through identification of a unique ID number stored on an LF or, upon request, UHF tag. The Olivia® station is enabled only for the chosen tag type.

The user who wishes to drop off the product must simply swipe the user identification tag on the reader located on the Olivia station in order to activate automatic opening. In some cases it might be necessary to press a button located on the station.

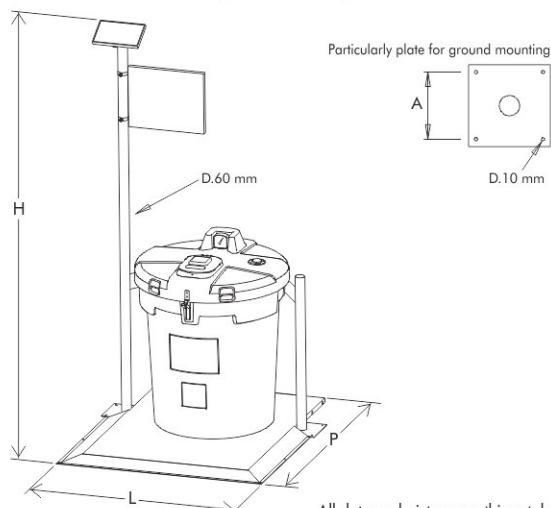
The lid will open approximately 10 seconds (*) from the time of activation. In any case, permission to open the lid is signaled by the lighting of a green LED. When drop-off is completed, it is necessary to manually close (by gravity) the lid to the Olivia station. At this point, after a few seconds the collection station will transmit the drop-off data stored in the memory. Upon request, it is possible to transmit data at set times (e.g. night hours). The station memory allows a maximum of 5 or 100 consecutive drop-offs, depending on the chosen/installed software. The 6th drop-off will not be possible until the station sends the data and receives confirmation that the information has all been received by Oilplan. The sending time, with data receipt verification, depends greatly on the GSM network traffic when the system makes the connection; in case of failure, a second attempt will be made after a few minutes (approx. 10) and so on until an available send window opens. Once the operation has been completed, the station will be again accessible for further drop-offs.

Night-time data sending works in the same way.

The station does not have non-volatile data storage because the power supply is guaranteed by the batteries and therefore is not affected by possible issues with the power grid (except for the version featuring direct power supply with transformer). There is however a version that can store 100 drop-offs on a non-volatile memory.

Optional: UHF RFID reader code 02186.

Level indicator with float and external analog dial, customized stickers, anchor screws for ground fixing.



All data and pictures on this catalogue are indicative and subject to change without prior notice. The images exclusively belong to Nuova C. Plastica, any use or reproduction is forbidden without prior authorization.

ECO

cod.02181 – The station manages both free disposal and disposal only by authorized users. The user who wishes to dispose of the oil must open the lid by hand and pour in the collected oil.

Once pouring is complete, the lid of the Olivia station must be closed by hand (by gravity). The station will then transmit the data pertaining to the container oil level and any alarms, if present. Level 1 = 33% full; Level 2 = 66% full; Level 3 = 100% full.

The station will transmit data once daily, at close intervals or during a certain time frame, both of which can be set online. The sending time, with data receipt verification, depends greatly on the GSM network traffic when the system makes the connection; in case of failure, a second attempt will be made after a few minutes (approx. 10) and so on until an available send window opens.

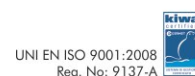
Optional: Level indicator with float and external analog dial, customized stickers, anchor screws for ground fixing.



code	L	P	H photovolt.	H electrical.	A	capacity Lt
02179 - 02181	1400	1630	2530	2350	205	190

dimensions mm

Nuova *C.*Plastica s.r.l.



Via dell'Artigianato, 2 & 8 - 40023 Castel Guelfo - Bologna - ITALY
Tel. +39 0542 670330 Fax +39 0542 670130

www.raccoltaoliusati.com - www.nuovacplastica.com
ambiente@nuovacplastica.com